

## Solution of Exercise Sheet 3

### Exercise 1 (Bridges and Switches)

1. What is the purpose of **Bridges** in computer networks?

*For connecting different physical networks, Bridges are required because they forward frames from one physical network to another one.*

*Bridges and Switches check the correctness of the frames via checksums.*

2. How many **interfaces** („Ports“) provides a Bridge?

*2 ports.*

3. What is the major difference between **Bridges** and **Layer-2-Switches**?

*Bridges with > 2 ports are called Multiport Bridge or Layer-2-Switch.*

4. Why do Bridges and Layer-2-Switches not require **physical or logical addresses**?

*Bridges do not need addresses for filtering and forwarding the frames, because they do not actively participate in the communication. They work transparent, just like the devices of the Physical Layer.*

5. Name at least two **examples** of Bridge implementations.

*WLAN Bridges and Laser Bridges.*

6. What is the advantage of **Learning Bridges** in contrast to „dumb“ Bridges?

*Learning Bridges learn which network devices are accessible via which port.*

7. What information is stored in the **forwarding tables** of Bridges?

*The information, which network devices are accessible via which port in local forwarding tables.*

8. What happens, if for a network device, no entry exists in the **forwarding table** of a Bridge?

*This is not a problem because the table is only used for optimization. If for a network device no entry in the forwarding table exists, the Bridge forwards the frame to every port, which is connected to a physical network.*

9. Why do Bridges try to avoid **loops**?

*Loops can cause malfunctions and reduce the performance of the network or even lead to a network failure.*

10. What protocol use Bridges to **handle loops**?

*Spanning Tree Protocol (STP).*

11. What is a **spanning tree**?

*It is a subgraph of the graph, which covers all nodes, but it is cycle-free, because edges have been removed.*

12. What information contains the **Bridge ID** according to the IEEE?

*The Bridge ID consists of the Bridge priority (2 bytes) and MAC address (6 bytes) of the Bridge port with the lowest port ID.*

13. What is the difference between the **Bridge ID** according to the IEEE and the **Cisco extended version** of the Bridge ID?

*Cisco subdivides the original 2 bytes long part for the Bridge priority. 4 bits now represent the Bridge priority. The remaining 12 bits are used to encode the VLAN ID.*

14. How many priority values can be encoded with the **Bridge ID** according to the IEEE?

*65,536 priority values can be represented.*

15. How many priority values can be encoded with the **Cisco extended version** of the Bridge ID?

*4 bits represent the Bridge priority  $\implies$  only 16 values can be represented.*

16. What is a **Bridge Protocol Data Unit** (BPDU) and for what is it used?

*Bridges exchange information about Bridge IDs and path costs via special data frames, called Bridge Protocol Data Unit (BPDU).*

17. What is the selection criteria for determining, whether a Bridge becomes the **Root Bridge**?

*First, the Bridges have to determine the Bridge with the lowest Bridge Priority in the Bridge ID. This Bridge is the Root Bridge of the spanning tree to be generated.*

18. What is a **Designated Bridge** and what is its task?

*For each physical network, a single one of the directly connected Bridges needs to be selected as responsible for forwarding the frames towards in the direction of the Root Bridge. This Bridge is called Designated Bridge for this network.*

19. How many **Designated Bridges** does a computer network contain?

*For each physical network, a single Designated Bridge exists.*

20. What is the selection criteria for determining, whether a Bridge becomes a **Designated Bridge**?

*The Bridge with the lowest path costs to the Root Bridge is selected as Designated Bridge.*

21. What is the impact of Bridges and Layer-2-Switches on the **collision domain**?

*If a physical network is subdivided via a Bridge or Switch, also the collision domain is divided and the number of collisions decreases.*

*For Bridges and Switches, each port forms its own collision domain.*

22. What is a **switched network**?

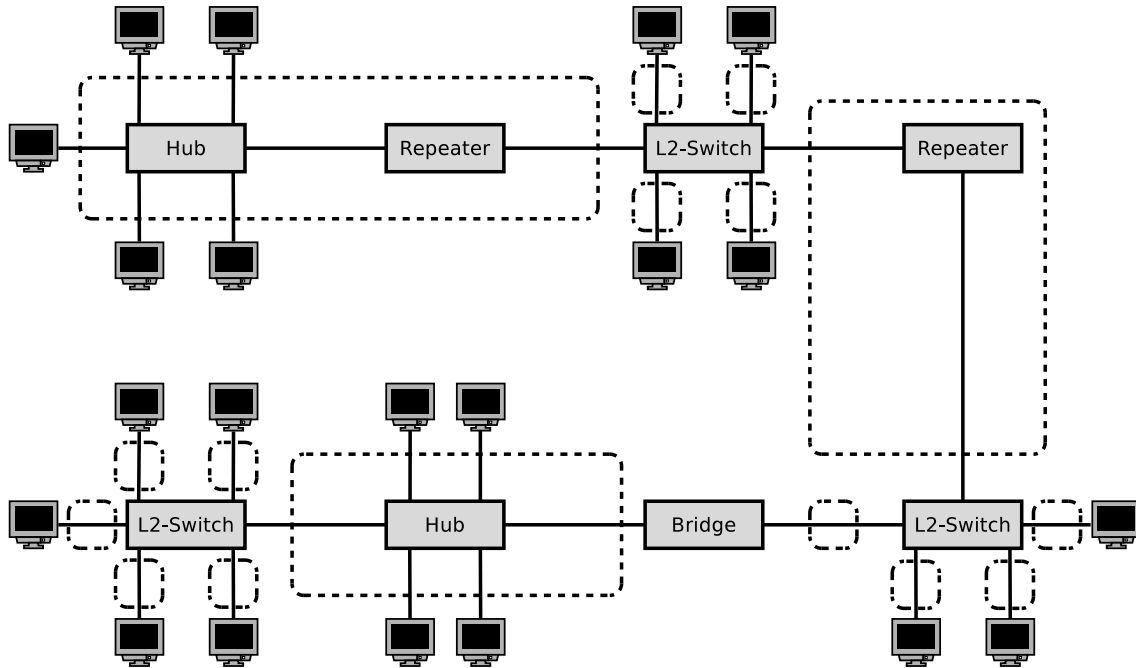
*In a switched network, each port of the switches is connected with just a single network device.*

23. Name an advantage of a **switched network**.

*Such a network is free from collisions and state of the art.*

## Exercise 2 (Collision Domain)

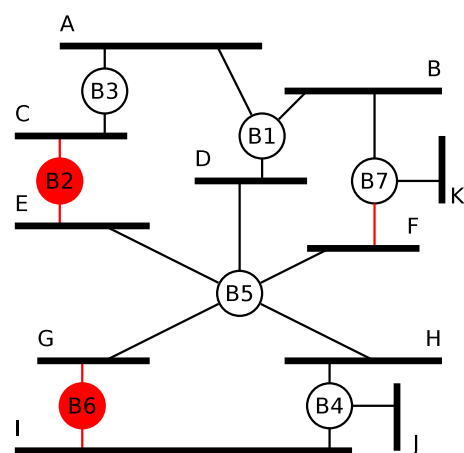
Sketch in the diagram of the network topology all **collision domains**.



## Exercise 3 (Spanning Tree Protocol)

The figure shows the physical connections of a network. All Bridges boot up at the same time after a power failure. Highlight in the figure which ports and Bridges are not used when the Spanning Tree Protocol is used.

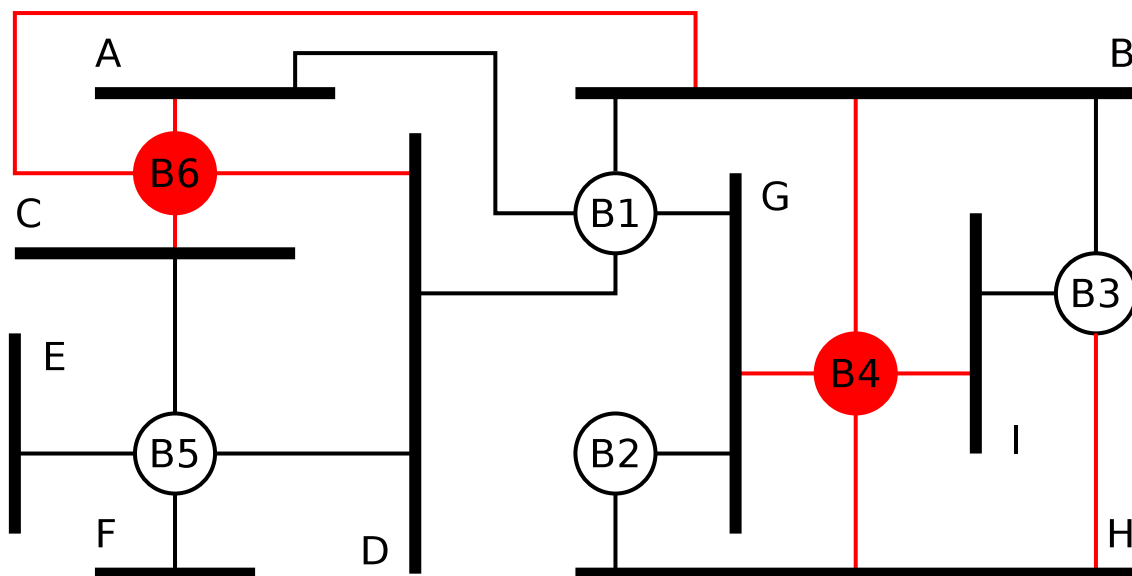
*Attention: If multiple paths from a network to the root bridge have the same distance, then take the bridge IDs as decision criterion. The smaller the ID of a bridge is, the higher is its priority.*



## Exercise 4 (Spanning Tree Protocol)

The figure shows the physical connections of a network. All Bridges boot up at the same time after a power failure. Highlight in the figure which ports and Bridges are not used when the Spanning Tree Protocol is used.

*Attention: If multiple paths from a network to the root bridge have the same distance, then take the bridge IDs as decision criterion. The smaller the ID of a bridge is, the higher is its priority.*



See image. Non used Bridges and ports are highlighted with red color.

## Exercise 5 (Addressing in the Data Link Layer)

1. The format of what **addresses** is defined by Data Link Layer protocols?

physical network addresses       logical network addresses

2. How are **physical network addresses** called?

*MAC addresses (Media Access Control).*

3. What protocol uses Ethernet for the **address resolution**?

*Address Resolution Protocol (ARP).*

4. Who receives a frame with the **destination address FF-FF-FF-FF-FF-FF**?

*This address is the MAC broadcast address. Every participant in the physical network receives this frame.*

5. What is **MAC spoofing**?

*MAC addresses can be modified via software. The method is called MAC spoofing.*

## Exercise 6 (Framing)

1. One way to mark the frames' borders is via **character count in the frame header**. Name a potential issue that can arise from this method.

*If the field, which contains the number of bytes payload inside the frame is modified during transmission, the receiver is unable to correctly detect the end of the frame.*

2. One way to mark the frames' borders is via **Byte Stuffing**. Name a drawback of this method.

*The strong relationship with the ASCII character encoding.*

3. Why work up-to-date Data Link Layer protocols, such as Ethernet and WLAN, **bit-oriented and not byte-oriented**?

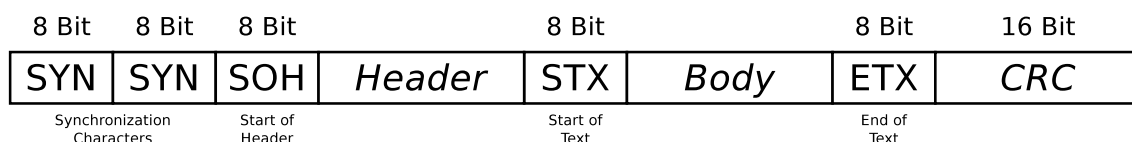
*Because this allows using any character encoding.*

4. What information contains an **Ethernet frame**?

- Sender IP address
- Sender MAC address
- Hostname of the receiver
- Information about the Transport Layer protocol used
- Preamble to synchronize the receiver
- Port number of the receiver
- CRC checksum
- Information about the Application Layer protocol used
- VLAN tag
- Receiver MAC address
- Receiver IP address
- Information about the Network Layer protocol used
- Hostname of the sender
- Signals, which are transmitted via the transmission medium
- Port number of the sender

## Exercise 7 (Byte Stuffing)

The Data Link Layer splits the bit stream from the Physical Layer into frames. The character-oriented protocol BISYNC uses control characters to mark the structure of the frames. The start of a frame highlights the character SYN. The start of the header highlights the character SOH (*Start of header*). The payload is located between STX (*Start of text*) and ETX (*End of text*). The figure shows the structure of BISYNC frames:



Control character	SOH	STX	ETX	DLE	SYN
Hexadecimal notation	01	02	03	10	16

If the payload (body) contains the control characters ETX and DLE (*Data Link Escape*), they are protected (*escaped*) by the Data Link Layer protocol with a stuffed DLE character. A single ETX in the payload area is represented by the sequence DLE ETX. The DLE character itself is represented by the sequence DLE DLE.

Mark the payload inside the following BISYNC frames?

- 16 16 01 99 98 97 96 95 02 A1 A2 A3 A4 A5 03 A0 B7

*Payload:* A1 A2 A3 A4 A5

- 16 16 01 99 98 97 96 95 02 05 04 10 03 02 01 03 76 35

*Payload:* 05 04 03 02 01

- 16 16 01 99 98 97 96 95 02 10 03 10 10 10 03 03 92 55

*Payload:* 03 10 03

- 16 16 01 99 98 97 96 95 02 10 10 10 10 10 03 01 02 A1 03 99 B2

*Payload:* 10 10 03 01 02 A1

Source: Jörg Roth. *Prüfungstrainer Rechnernetze*. Vieweg (2010) and Wikipedia

## Exercise 8 (Bit Stuffing)

The Data Link Layer protocol HDLC (High-Level Data Link Control) uses Bit Stuffing. If the sender discovers 5 consecutive 1 bits in the bitstream from the Network

Layer, it *stuffs* a single 0 bit into the outgoing bit stream. If the receiver discovers 5 consecutive 1 bits, followed by a single 0 bit in the bit stream from the Physical Layer, it removes (*destuffs*) the 0 bit.

Give the encoding for each one of the following bit sequences, when the sender *stuffs* after 5 consecutive 1 bits a single 0 bit into the bit stream from the Network Layer.

1. 01111110 10100111 11111000 11110010 10011111 10111111 11100101

*Bit stream with stuffed 0 bits:*

011111010 10100111 110111000 11110010 100111110 101111101 11100101

2. 00111111 01110001 11110011 11111100 10101010 11001111 11100001

*Bit stream with stuffed 0 bits:*

001111101 01110001 111100011 111011100 10101010 11001111 101100001

3. 11111111 11111111 11111111 11111111 11111111 11111111 11111111

*Bit stream with stuffed 0 bits:*

111110111 1101111101 111101111 1011111011 1110111110 111110111 1101111101

## Exercise 9 (Error Detection – CRC)

1. Calculate the frame to be transferred.

Generator polynomial: 100101

Payload: 11010011

*The generator polynomial has 6 digits  $\implies$  five 0 bits are appended*

Frame with appended 0 bits: 1101001100000

```
1101001100000
100101||||||
-----v|||||
 100011|||||
 100101|||||
  -----vvv|||
    110100|||
    100101|||
  -----v|||
    100010|||
    100101|||
  -----vv
      11100 = Remainder
```



Remainder: 11100  
Transferred frame: 1101001111100

2. Check, if the received frame was transmitted correctly.

Transferred frame: 1101001110100  
Generator polynomial: 100101

```
1101001110100
100101|||||
-----v|||||
 100011|||||
 100101|||||
-----vvv|||
   110110|||
   100101|||
-----v||
    100111||
    100101||
-----vv
      1000 => Error
```

3. Check, if the received frame was transmitted correctly.

Transferred frame: 1101001111100  
Generator polynomial: 100101

```
1101001111100
100101|||||
-----v|||||
 100011|||||
 100101|||||
-----vvv|||
   110111|||
   100101|||
-----v||
    100101||
    100101||
-----vv
      00 => Transmission was error-free
```

4. Calculate the frame to be transferred.

Generator polynomial: 100101  
Payload: 10110101

*The generator polynomial has 6 digits  $\implies$  five 0 bits are appended.*

Frame with appended 0 bits: 1011010100000

```
1011010100000
100101|||||
-----vv||||
 100001||||
 100101||||
  -----vv||
    100000||
    100101||
  -----vv
      10100 = Remainder
```

Remainder: 10100  
Transferred frame: 1011010110100

5. Check, if the received frame was transmitted correctly.

Transferred frame: 1011010110110  
Generator polynomial: 100101

```
1011010110110
100101|||||
-----vv||||
 100001||||
 100101||||
  -----vvv|
    100101||
    100101||
  -----vv
      10 => Error
```

6. Check, if the received frame was transmitted correctly.

Transferred frame: 1011010110100  
Generator polynomial: 100101

```
1011010110100
100101|||||
-----vv||||
 100001||||
 100101||||
  -----vvv|
    100101||
    100101||
  -----vv
      00 => Transmission was error-free
```

7. Check, if the received frame was transmitted correctly.

Transferred frame: 1010010110100  
Generator polynomial: 100101

```
1010010110100
100101|||||
-----v|||||
 110001|||||
 100101|||||
-----v|||||
 101001|||||
 100101|||||
-----v|||
 110001||
 100101||
-----v|
 101000|
 100101|
-----v
 11010 => Error
```

8. Calculate the frame to be transferred.

Generator polynomial: 100000111  
Payload: 1101010101110101

*The generator polynomial has 9 digits  $\implies$  eight 0 bits are appended.*

Frame with appended 0 bits: 110101010111010100000000

```
110101010111010100000000
100000111|||||||
-----v|||||||
 101011011|||||||
 100000111|||||||
-----v|||||||
 101110011|||||||
 100000111|||||||
-----v|||||||
 111010001|||||||
 100000111|||||||
-----v|||||||
 110101100|||||||
 100000111|||||||
-----v|||||||
 101010111|||||||
 100000111|||||||
-----v|||||||
```

```

101000000|||||
100000111|||||
-----vv|||
 100011100|||
 100000111|||
-----vvvv
   110110000
   100000111
-----
     10110111 = Remainder
    
```

Remainder: 10110111  
 Transferred frame: 110101010111010110110111

9. Check, if the received frame was transmitted correctly.

Transferred frame: 110101010111110110110111  
 Generator polynomial: 100000111

```

110101010111110110110111
100000111|||||||
-----v|||||||
 101011011|||||||
 100000111|||||||
-----vv|||||||
   101110011
   100000111
-----
     111010011
     100000111
-----
       110101000
       100000111
-----
         101011111
         100000111
-----
           101100010
           100000111
-----
             110010111
             100000111
-----
               100100000
               100000111
-----
                 100111111
    
```

```

    100000111
    -----
    111000 => Error
    
```

10. Check, if the received frame was transmitted correctly.

Transferred frame: 110101010111010110110111  
 Generator polynomial: 100000111

```

110101010111010110110111
100000111| | | | | | | | | | | |
-----v| | | | | | | | | | | |
 101011011| | | | | | | | | | | |
 100000111| | | | | | | | | | | |
-----vv| | | | | | | | | | | |
   101110011| | | | | | | | | | | |
   100000111| | | | | | | | | | | |
-----vv| | | | | | | | | | | |
    111010001| | | | | | | | | | | |
    100000111| | | | | | | | | | | |
-----v| | | | | | | | | | | |
      110101100| | | | | | | | | | | |
      100000111| | | | | | | | | | | |
-----v| | | | | | | | | | | |
        101010111| | | | | | | | | | | |
        100000111| | | | | | | | | | | |
-----vv| | | | | | | | | | | |
          101000010| | | | | | | | | | | |
          100000111| | | | | | | | | | | |
-----vv| | | | | | | | | | | |
            100010111| | | | | | | | | | | |
            100000111| | | | | | | | | | | |
-----vvvv
              100000111
              100000111
              -----
                    0 => Transmission was error-free
    
```

## Exercise 10 (Error Correction – Simplified Hamming Code)

Transmission errors can be detected via CRC checksums. If it is important to not only recognize errors, but also to be correct them, then the data to be transmitted must be encoded in a way, that error-correction is possible. Error correction can be

realized e.g. via the **Simplified Hamming Code** we discussed in the computer networks course.

1. A message of 8 bits payload (10011010) need to be transferred. Calculate the message, that will be transmitted (payload inclusive parity bits).

*Step 1: Determine parity bit positions:*

```
          Position:  1  2  3  4  5  6  7  8  9 10 11 12
Data to be transmitted:  ?  ?  1  ?  0  0  1  ?  1  0  1  0
```

*Step 2: Calculate parity bit values:*

```
      0011 Position 3
      0111 Position 7
      1001 Position 9
XOR 1011 Position 11
-----
      0110 = parity bit values
```

*Step 3: Insert parity bit values into the transmission:*

```
          Position:  1  2  3  4  5  6  7  8  9 10 11 12
Data to be transmitted:  0  1  1  1  0  0  1  0  1  0  1  0
```

2. The following messages have been received. Verify, if they were transmitted correctly.

a) 00111101

```
Received data:  1  2  3  4  5  6  7  8
                0  0  1  1  1  1  0  1
```

```
      0011 Position 3
      0101 Position 5
XOR 0110 Position 6
-----
      0000 Parity bits calculated
XOR 0011 Parity bits received
-----
      0011 => Bit 3 ist defective!
```

b) 101110100010

```
Received data:  1  2  3  4  5  6  7  8  9 10 11 12
                1  0  1  1  1  0  1  0  0  0  1  0
```

```
      0011 Position 3
```

```
0101 Position 5
0111 Position 7
XOR 1011 Position 11
-----
1010 Parity bits calculated
XOR 1010 Parity bits received
-----
0000 => Correct transmission
```

c) 001101100100

```
Received data: 1 2 3 4 5 6 7 8 9 10 11 12
                0 0 1 1 0 1 1 0 0 1 0 0
```

```
0011 Position 3
0110 Position 6
0111 Position 7
XOR 1010 Position 10
-----
1000 Parity bits calculated
XOR 0010 Parity bits received
-----
1010 => Bit 10 ist defective!
```

d) 0001101100101101

```
Received data: 1 2 3 4 5 6 7 8 9 10 11 12 13 14 15 16
                0 0 0 1 1 0 1 1 0 0 1 0 1 1 0 1
```

```
00101 Position 5
00111 Position 7
01011 Position 11
01101 Position 13
XOR 01110 Position 14
-----
01010 Parity bits calculated
XOR 00111 Parity bits received
-----
01101 => Bit 13 ist defective!
```

## Exercise 11 (Media Access Control)

1. Why do computer networks use protocols for **media access control**?

*With Ethernet and WLAN, the network devices or stations use a shared transmission medium. To coordinate media access and to avoid collisions, media access control methods are required.*

2. Which media access control method is implemented by **Ethernet**?

- Deterministic media access control
- Non-deterministic media access control

3. Which media access control method is implemented by **Token Ring**?

- Deterministic media access control
- Non-deterministic media access control

4. Which media access control method is implemented by **WLAN**?

- Deterministic media access control
- Non-deterministic media access control

5. What is the advantage of the media access control method of **Token Ring** in contrast to the media access control method of **Ethernet**?

*In contrast with Token Ring, for Ethernet it is impossible to clearly predict the waiting time and the amount of data, that can be transmitted.*

6. Why use Ethernet and WLAN different **media access control methods**?

*With wireless networks, it is not guaranteed that all stations can detect all collisions.*

*In wired networks with a shared transmission medium, each participant receives the transmissions of all other participants.*

7. How do Ethernet devices react, when they detect a **collision**?

*If a collision is detected, the sender stops the frame transmission and sends the jam signal to announce the collision. If the maximum number of transmission attempts is not yet reached, the sender tries to transmit the frame again after a random time.*

8. Why is it important that the transmission of a frame is not completed when a collision occurs in an **Ethernet** network?

*Otherwise, the network device might already be finished with the transmission and believes the transmission was successful.*

9. What is done to ensure that the transmission of a frame is not completed when a collision occurs in an **Ethernet** network?



*Each frame must have a certain minimum length. It must be dimensioned in a way, that the transmission duration for a frame with minimum length does not fall below the maximum RTT (round trip time).*

*This ensures that a collision reaches the sender before its transmission is finished. If a sender detects a collision, it knows that its frame has not arrived correctly at the receiver, and can try the transmission again later.*

10. Which two **special characteristics** of the transmission medium in **wireless networks** cause **undetected collisions** at the receiver?

*Hidden terminal problem and Fading.*

11. Describe both **special characteristics** of subtask 10.

*Hidden terminal problem (problem caused by invisible or hidden terminal device). Because of obstacles, not all stations can detect all transmissions, although they interfere each other at the Access Point.*

*Fading (decreasing signal strength). The electromagnetic waves of the wireless network are weakened by obstacles and in free space. Caused by the positions of stations to each other, their signals are so weak, that the stations cannot detect each others transmissions.*

12. What is the **Network Allocation Vector** (NAV) for what purpose is it used?

*The NAV is a counter variable which is maintained by each node itself. It contains the expected time when the transmission medium will be occupied. It reduces the number of collisions when CSMA/CA is used.*

13. What is the **Contention Window** (CW) and for what purpose is it used?

*If the NAV and another DIFS with an idle transmission medium has expired, a backoff time is created from the CW. The backoff time is calculated by using a random value between the minimum CW and maximum CW and multiplying this random value with the slot time. After the backoff time has expired, the frame is transmitted. The CW prevents that all stations which wait for a free transmission medium, start their transmissions at the same time.*

14. Name a benefit and a drawback of using the control frames **Request To Send** (RTS) and **Clear To Send** (CTS)?

*Advantage: It reduces collisions because it solves the problem of hidden terminals.*

*Drawbacks: Delays occur, which are caused by the reservation of the transmission medium. The RTS and CTS frames, which are used to reserve the transmission medium, are overhead.*

## Exercise 12 (Address Resolution Protocol)

1. What is the function of the **Address Resolution Protocol**?

*The Address Resolution Protocol (ARP) is used to convert IP address of the Network Layer to MAC address of the Data Link Layer.*

2. What is the **ARP cache**?

*The ARP cache is a table, which contains IP addresses and MAC addresses, that belong together. It is used to speed up the address resolution.*